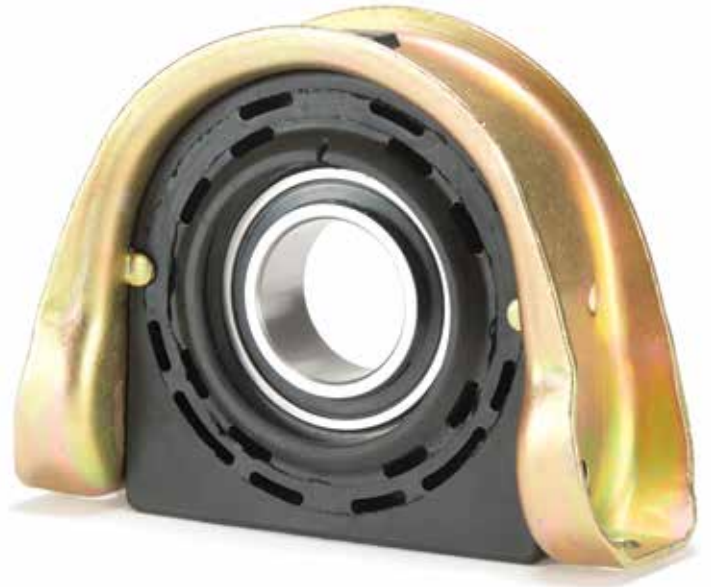


Neapco
Extended Life
Premium
Self-Aligning
Center Support



Part No.

N210661-1XSA



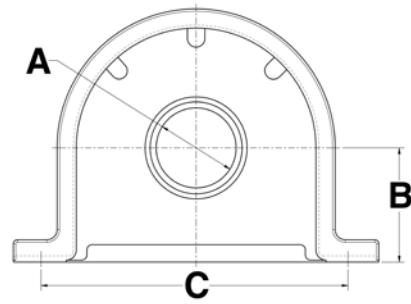
Note: See reverse side for dimensional details, competitor interchange, and general applications.

Neapco Center Support Features & Benefits

DESCRIPTION	FEATURES	BENEFITS
Improved Design	Enhanced Alignment Capability	Allows +/- 10 degrees of driveline angularity
Mounting bracket	Provides a common mounting platform on the cross member or mounting bracket	No bracket changes or shimming are required to attain the desired drive-line alignment
Premium Bearing	Premium Seal, Higher Load Capacity	Extended Life
Part number compatibility	Easy to cross-reference	Provides backward compatibility with previous Neapco part numbers and/or current competitor designs
Self-aligning center support	Direct replacement	For all vehicles equipped with OEM self-aligning center support bearing
Enhanced rubber cushion	Incorporates a drain galley. Increased attaching points	Extended Life

Neapco gives distributors the edge necessary in today's competitive marketplace. Our history of dedication to the drivetrain business and our focus on providing innovative solutions make us the industry's most experienced and qualified drivetrain specialist.

Neapco Self Aligning Center Support



Neapco Center Support Specifications

A BORE INCHES	A BORE MM	B CL OF BEARING TO FACE	C CL TO CL OF MOUNTING	BOLT HOLE DIAMETER	PART NUMBER
2.362	60	3.37	8.62	0.63 X 0.75	N210661-1XSA

Driveline Series General Applications

PART NUMBER	DRIVELINE SERIES
N210661-1XSA	SPL170*, SPL250*, 1710HD, 1760, 1810, 8.5C, 9C
* SPL - Spicer® Life Series driveshafts is a registered trademark of Dana Limited.	

Neapco Center Support Part Number Interchange

NEAPCO PART NUMBER	MERITOR PART NUMBER	SPICER PART NUMBER
N210661-1XSA	CB210661-1XSA	5003323, 210987-1X, 212066-1X, 212129-1X

www.neapco.com

1-800-821-2374 toll-free

610-326-3857 fax

hd@neapco.com email

11/2014

©2014 NEAPCO Components, LLC

9901289

