



# Sales Bulletin

INNOVATIVE DRIVETRAIN SOLUTIONS®

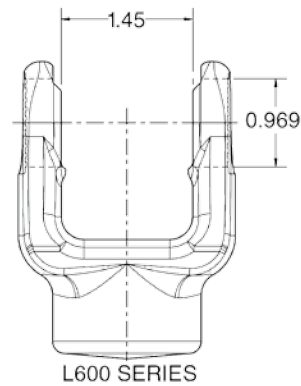
## 1000 SERIES TO REPLACE THE L600 SERIES

Neapco is consolidating the L600 series. It will be replaced by the more common 1000 series. This is easily done when using L600 in combination with 1000 series yokes by the use of a standard conversion u-joint. Both series carry the same category ratings, so strength is not a concern. Both series are made from the same raw materials, so any clearance concerns should not exist. Both series use the same telescoping members in regard to rectangular shafting and tubing, as well as the round tube and sleeve configurations. All part numbers interchange directly in reference to bore diameter, spline count, keyway, and set screw hole requirements.

### L600 & 1000 Series Yoke Identification

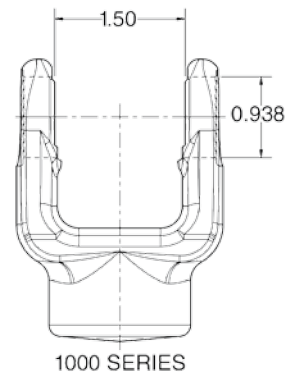
#### L600 Series:

Yokes Measure 1.45" Between The Ears  
And A 0.969" Bearing Cup.



#### 1000 Series:

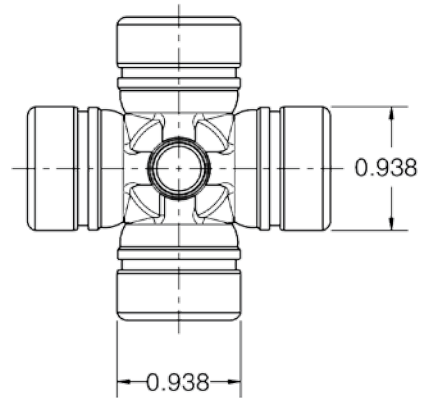
Yokes Measure 1.50" Between The Ears  
And A 0.938" Bearing Cup.



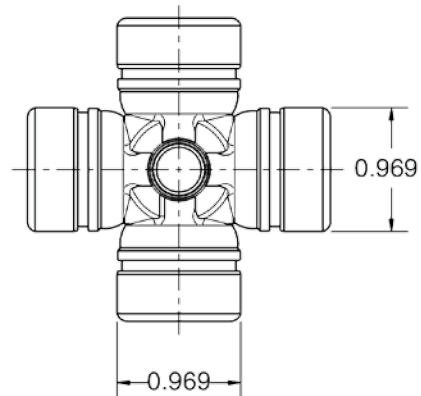
*Continued on next page*

## *L600 & 1000 Universal Joint Identification*

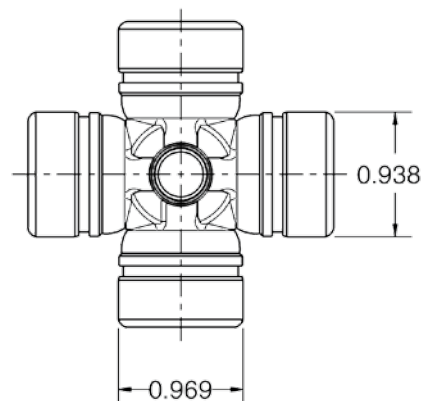
**1-0170** universal joint is used when assembling (2) 1000 series yokes.  
The bearing cup diameter measured 0.938"



**1-1475** Universal joint is used when assembling (2) L600 series yokes.  
The bearing cup diameter measured 0.969"



**1-0616** Conversion universal joint is used when assembling or repairing a combination of (1) L600 & (1) 1000 series yoke.  
Measure the bearing cup diameter (0.938" For 1000 series) & (0.969") For the L600 series).



**Continued on next page**



# Sales Bulletin

INNOVATIVE DRIVETRAIN SOLUTIONS®

L600 Series	Type Of Part	Comments	1000 Series Replacement
1-0170	Universal Joint	1000 Series	1000 Series Only
1-1475	Universal Joint	L600 Series	L600 Series Only
1-0616	Universal Joint	L600 / 1000 Conversion	L600 to 1000
16-6409	Quick Disconnect Yoke	1.38 - 6 Spline / Tractor	10-4139
16-0621	Quick Disconnect Yoke	1.38 - 21 Spline / Implement	No longer available
16-6407	Quick Disconnect Yoke	1.38 - 6 Spline / Implement	10-4137
16-0606	S C Yoke	1.38 - 6 Spline	10-5430
16-0615	S C Yoke	1.00 - 15 Spline / L & G	10-5366
16-6210	Round Bore Yoke	0.63 Dia	10-4373
16-6111	Round Bore Yoke	0.75 Dia	10-0413
16-6112	Round Bore Yoke	0.81 Dia	10-0443
16-6114	Round Bore Yoke	0.94 Dia	10-0473
16-6213	Rd Bore / Dbl Key	0.88 Dia	10-5213
16-6215	Rd Bore / Dbl Key	1.00 Dia	10-5215
16-6216	Rd Bore / Dbl Key	1.13 Dia	10-5216
16-6217	Rd Bore / Dbl Key	1.19 Dia	10-1574
16-6218	Rd Bore / Dbl Key	1.25 Dia	10-5218
16-6303	Hex Bore Yoke	0.88 Hex	10-4282
16-6516	Shear Yoke	1.00 Dia	No longer available
16-6518	Shear Yoke	1.13 Dia	No longer available
16-6165	Shear Yoke	1.25 Dia	No longer available
16-6134	Spline Bore Yoke	1.125 - 6 Spline	10-0411
16-6171	Square Bore Yoke	0.75 Sqr	10-0422
16-6302	Square Bore Yoke	.88 X 1.00 Sqr	10-1580
16-6127	Square Bore Yoke	1.25 Square	No longer available
16-6176	Slip Yoke - Square	0.75 Square	No longer available
16-8600	Double Pivot Yoke	2.50 CL To CL	10-5361
16-7600	Shaft Weld Yoke	Uses .75 X .88 Rect Shaft	10-5129
16-6129	Shaft Weld Yoke - L6 Groove	.75 X .88 Shaft	No longer available
16-3600	Tube Weld Yoke	Uses 1.00 X 1.13 Rect Tube	10-5131
16-6131	Tube Weld Yoke - L6 Groove	1.00 X 1.13 Tube	No longer available
16-6132	Tube Weld Yoke	1.63 Rd X 16 Ga Tube	10-5132
64-1627	Yoke & Tube	24.00 CL To End	64-0627

*Continued on next page*

# Sales Bulletin



<b>L600 Series</b>	<b>Type Of Part</b>	<b>Comments</b>	<b>1000 Series Replacement</b>
64-1639	Yoke & Tube	36.00 CL To End	<b>64-0639</b>
64-1651	Yoke & Tube	51.00 CL To End	<b>64-0651</b>
65-1627	Yoke & Shaft	24.00 CL To End	<b>65-0627</b>
65-1639	Yoke & Shaft	36.00 CL To End	<b>65-0639</b>
65-1651	Yoke & Shaft	51.00 CL To End	<b>65-0651</b>
58-1627	Driveshaft Assembly	36.00 CL To CL	<b>58-0627</b>
58-1639	Driveshaft Assembly	48.00 CL To CL	<b>58-0639</b>
58-1651	Driveshaft Assembly	60.00 CL To CL	<b>58-0651</b>
56-1600	World Shield Bearing	World Shield Bearing	<b>56-0600</b>
53-0635	Slip Sleeve	Fits .75 X .88 Rect Shaft	<b>53-0634</b>